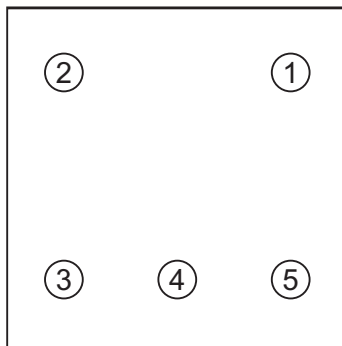
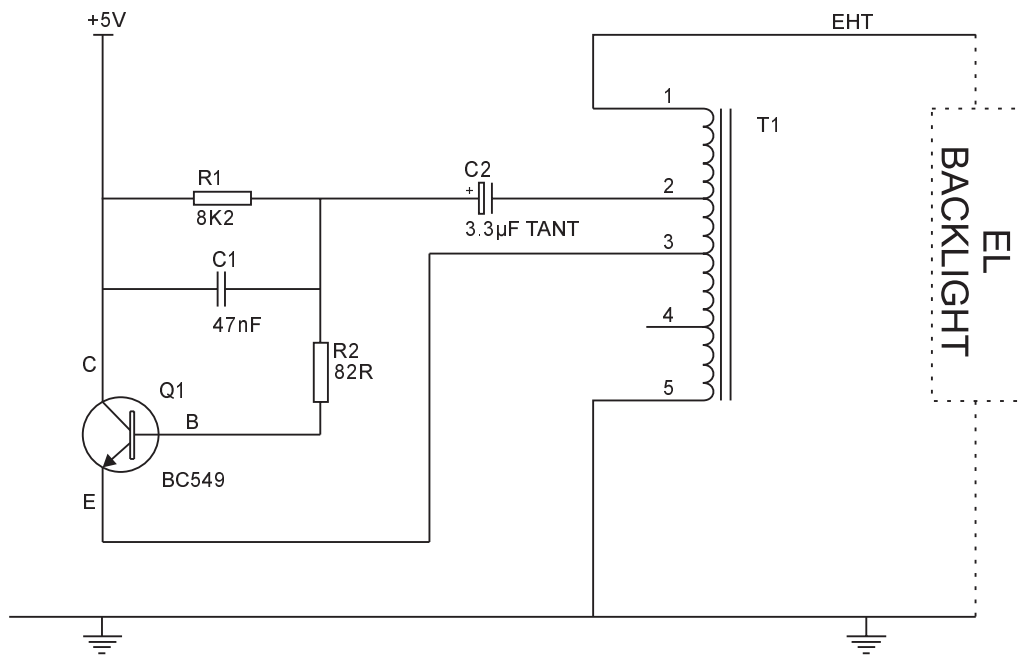


5

10

15



T1 - Y-T4620 Bottom view  
Pin 4 - No connection